

# Raynger<sup>®</sup> ST<sup>™</sup>

## 20/30 Pro



**NEW!**  
Visualize the target area  
with circular laser sighting  
in the ST30 model.

Raytek<sup>®</sup> Infrared Noncontact  
Thermometers are the  
professional's choice for:

- Automotive and Diesel
- HVAC/R Systems
- Electrical and Industrial
- Facility Maintenance
- Food Safety
- Asphalt Work
- Fire Safety
- Marine Maintenance

## The Professional's Choice

Choose the Raynger ST Pro when you need a dependable, professional tool for day-to-day applications. You won't find other noncontact thermometers with the temperature range, ability to measure so small an area, and comparable laser sighting at this price. Whether you choose the ST20 with single point laser sighting, or the ST30 with offset eight point circular laser sighting, gathering temperature data has just become easier. Simply point, shoot and read.

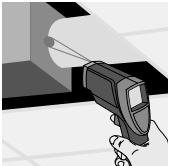
With a wide temperature range, MAX temperature display, and choice of laser sighting options, the ST Pro makes temperature measurement a breeze. Both the ST20 and ST30 feature rugged rubber overmolding, and the ability to be tripod mounted.

Choose the infrared noncontact thermometer that millions of professionals use worldwide. Call today and discover the Raytek advantage—fast, easy and safe temperature measurement backed by over 35 years of experience and top-quality customer service.

**Raytek<sup>®</sup>**

# Specifications and Features

# RayngerST



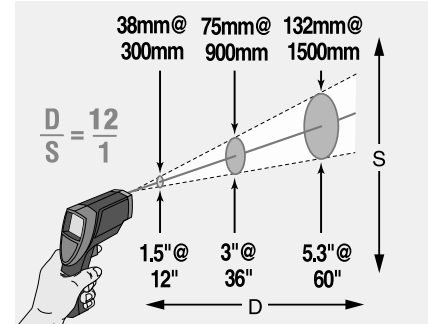
## Specifications

<b>Temperature Range</b>	
ST20 Pro	-32 to 400°C (-25 to 750°F)
ST30 Pro	-32 to 545°C (-25 to 950°F)
<b>Accuracy</b> @ 23°C (73°F) ambient operating temperature	1% or ±1°C (±2°F), whichever is greater above 23°C (73°F) ±2°C (±3°F) @ -18 to 23°C (0 to 73°F) ±2.5°C (±4°F) @ -26 to -18°C (-15 to 0°F) ±3°C (±5°F) @ -32 to -26°C (-25 to -15°F)
<b>Repeatability</b>	≤ ±0.5% or ≤ ±1°C (±2°F) whichever is greater
<b>Response Time</b>	≤ 0.5 second (95% of reading)
<b>Ambient Operating Range</b>	0 to 50°C (32 to 120°F)
<b>Power</b>	9V Alkaline or NiCd Battery
<b>Weight</b>	320g (11oz)

Features	ST20 Pro	ST30 Pro
Distance to Spot (D:S)	12:1	12:1
Emissivity	pre-set at 0.95	pre-set at 0.95
Laser Sighting	single point	offset 8 point circular
MAX Temperature Display	✓	✓
Display Hold (7 seconds)	✓	✓
LCD Backlight	✓	✓
Display Resolution	0.2°C (0.5°F)	0.2°C (0.5°F)
Hard Carrying Case	✓	✓

## Options/Accessories

- Nylon Holster
- NIST Traceable Calibration Certificate



ST20 and ST30 ProPlus Target Spot Sizes  
D:S = 12:1 at Focus Point

**PROHEAT**  
Excellence in distribution

<http://www.proheatinc.com>

117 East Adam St  
P.O. Box 48  
LaGrange, KY 40031

Phone: (502) 222-1402  
Fax: (502) 222-0714  
Toll-Free: (800) 626-2142