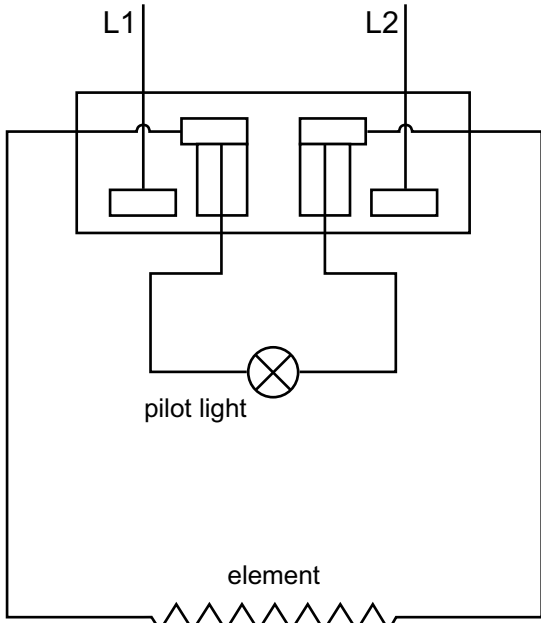
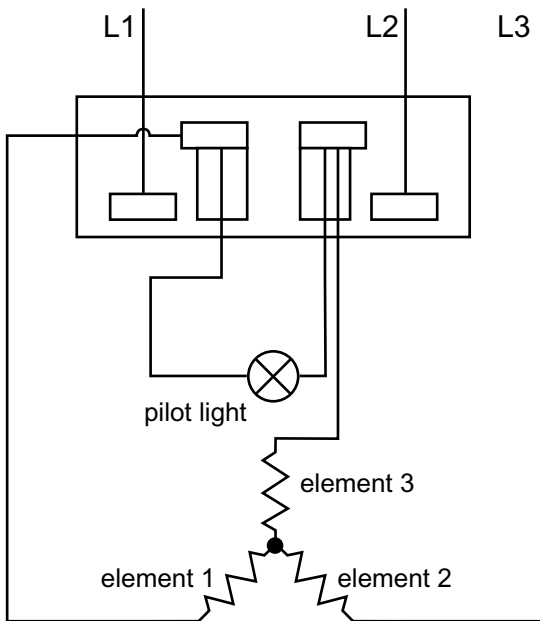


*Tech  
Tip*

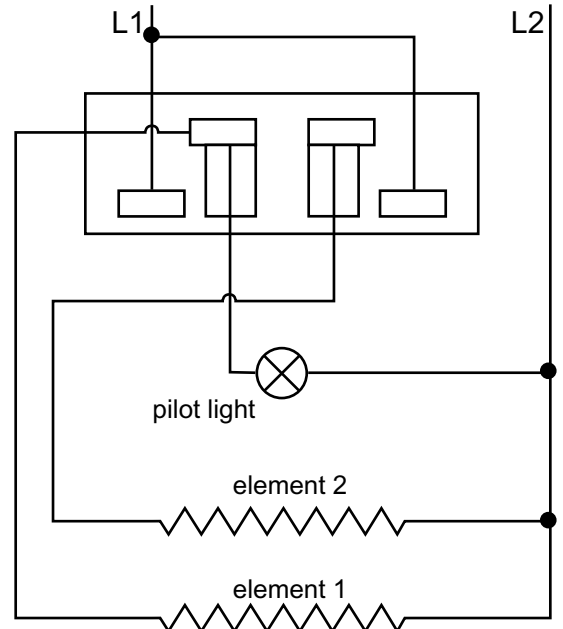


double pole hookup of single element

*Robertshaw*  
**THERMOSTAT  
 WIRING DIAGRAM**



three-phase hookup



single pole hookup of double element